

# MaskMatrix

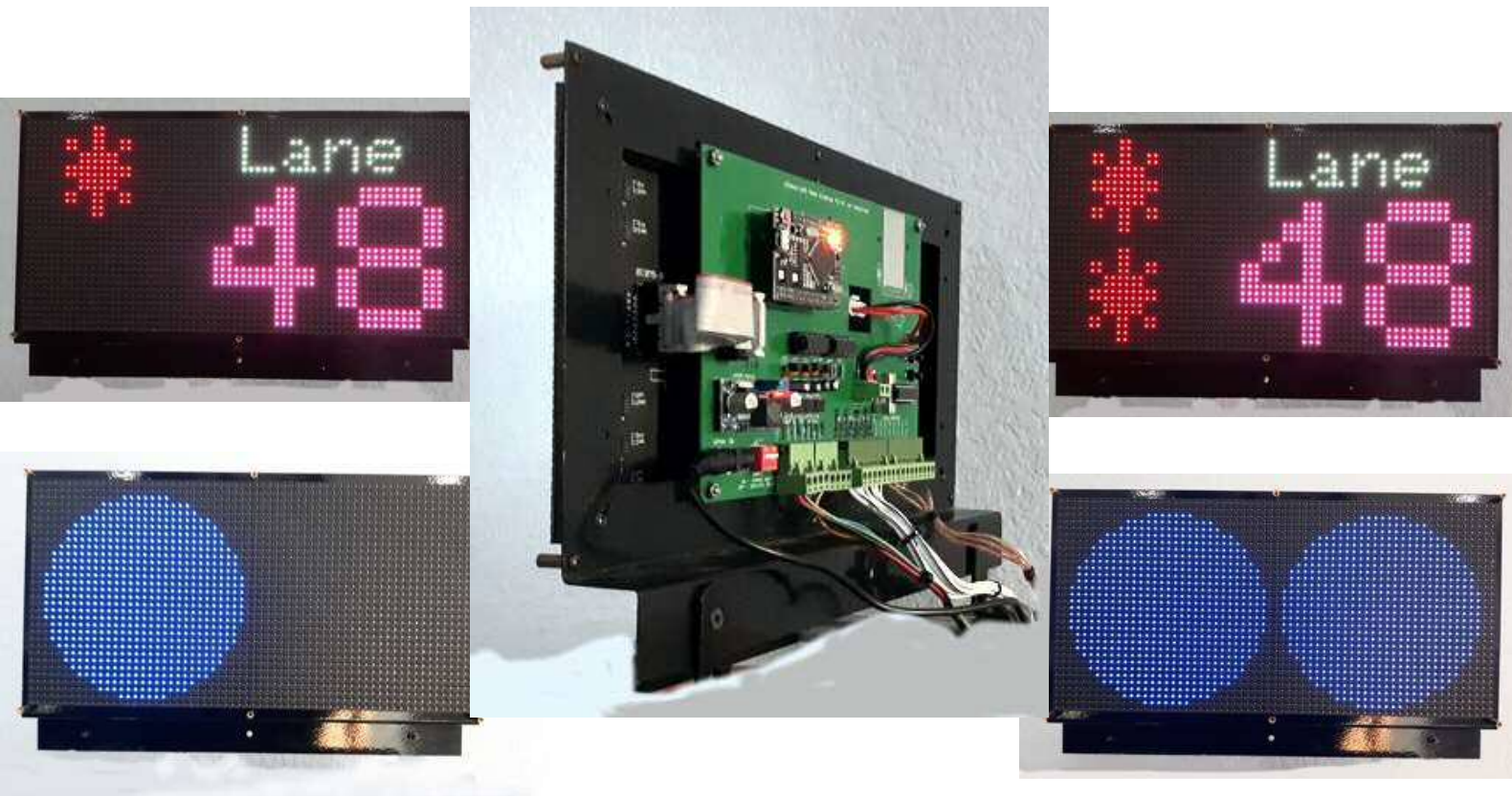
Universal - for all Pinspotters and Pinsetters



Document rev 02 - 15 DEC 2022

## MaskMatrix RGB LED Display for Mask Unit

Capable of displaying: Lane Number in multiple menu selectable colours and formats  
1st Ball  
2nd Ball  
Strike  
Foul  
STOP  
(if the Pinspotter or Pinsetter has the correct outputs available)



### Document Contents

- Page 1 - Front
- Page 2 - AMF 82-70
- Page 3 - AMF XL
- Page 4 - QUBICAAMF XLi
- Page 5 - QubicaAMF Edge
- Page 6 - Brunswick A/A2
- Page 7 - Brunswick GS
- Page 8 - Menus

### Product Features

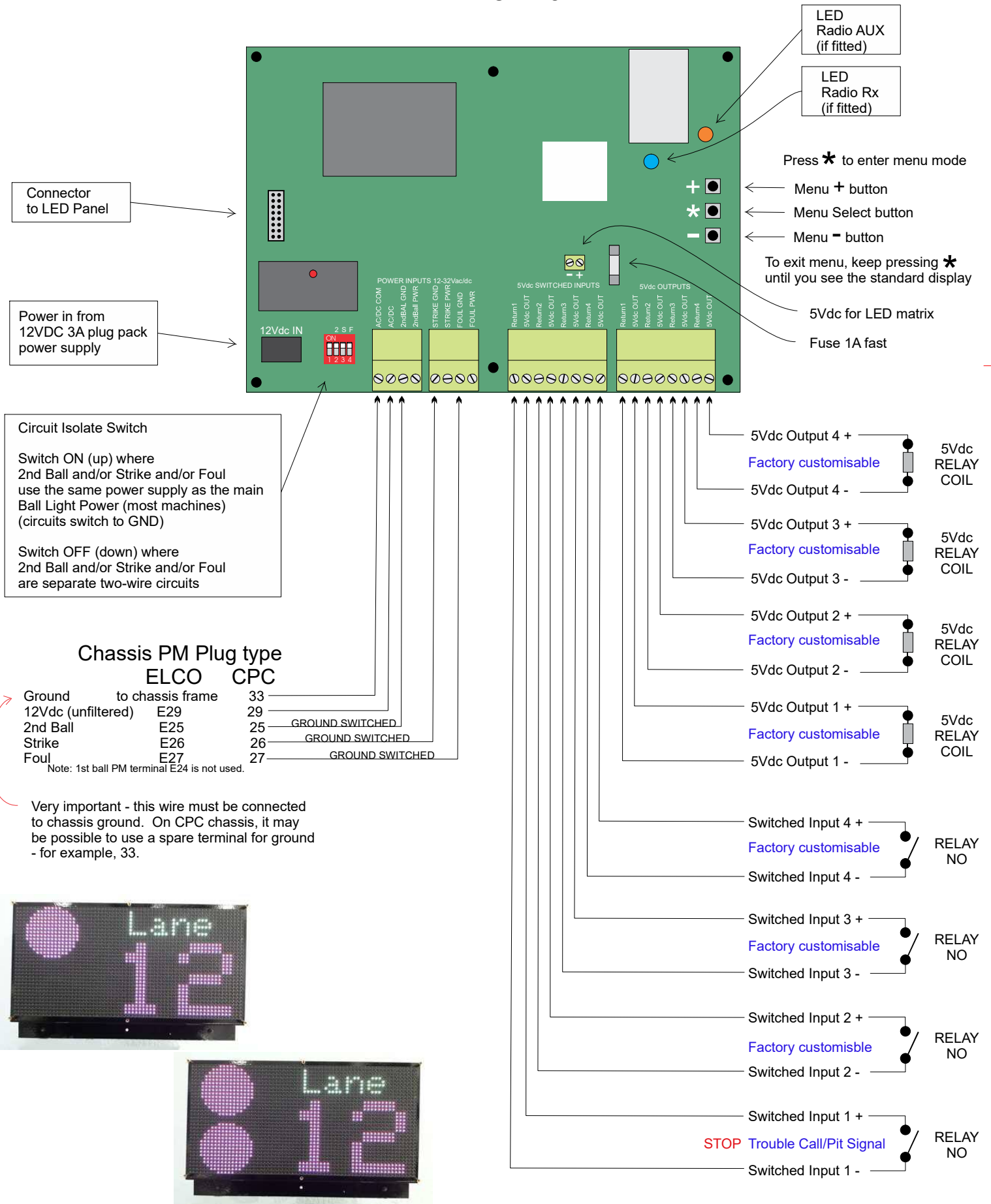
- \* Works on all Pinspotter and Pinsetter models
- \* Display lane number while machine is OFF (if optional plug pack is used)
- \* Use menu buttons on rear to set:
  - lane number
  - lane number colour for "machine OFF"
  - lane number colour for "machine ON"
  - set 1st and 2nd Ball indicator format and colour
  - set STRIKE format and colour
- \* Dedicated inputs for:
  - machine power
  - 2nd Ball
  - Strike
  - Foul
  - STOP
- \* 3 factory programmable inputs (dry relay contact)
- \* 4 factory programmable outputs (5Vdc)
- \*

# MaskMatrix

Universal - for all Pinsetters and Pinsetters



## AMF 82-70

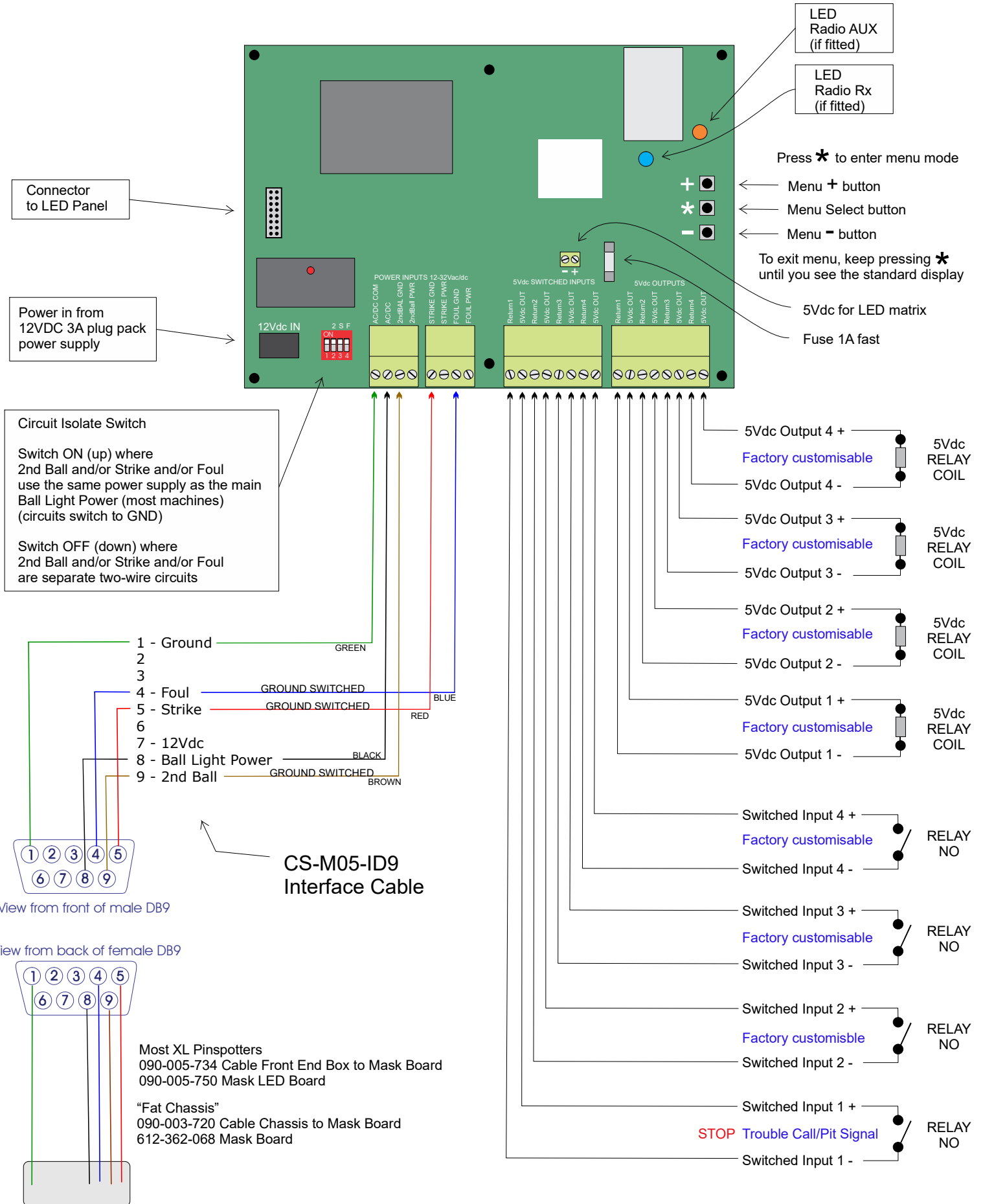


# MaskMatrix

Universal - for all Pinsetters and Pinotters



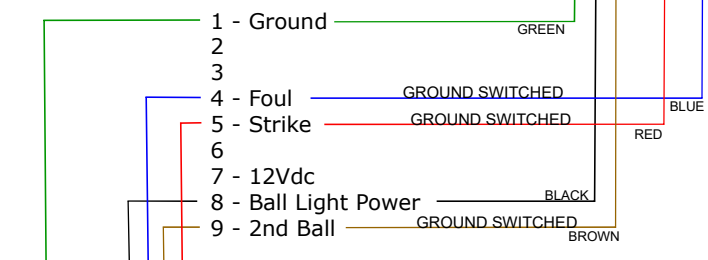
## AMF 82-90XL



**Circuit Isolate Switch**

Switch ON (up) where  
2nd Ball and/or Strike and/or Foul  
use the same power supply as the main  
Ball Light Power (most machines)  
(circuits switch to GND)

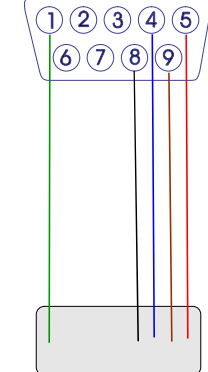
Switch OFF (down) where  
2nd Ball and/or Strike and/or Foul  
are separate two-wire circuits



**CS-M05-ID9  
Interface Cable**

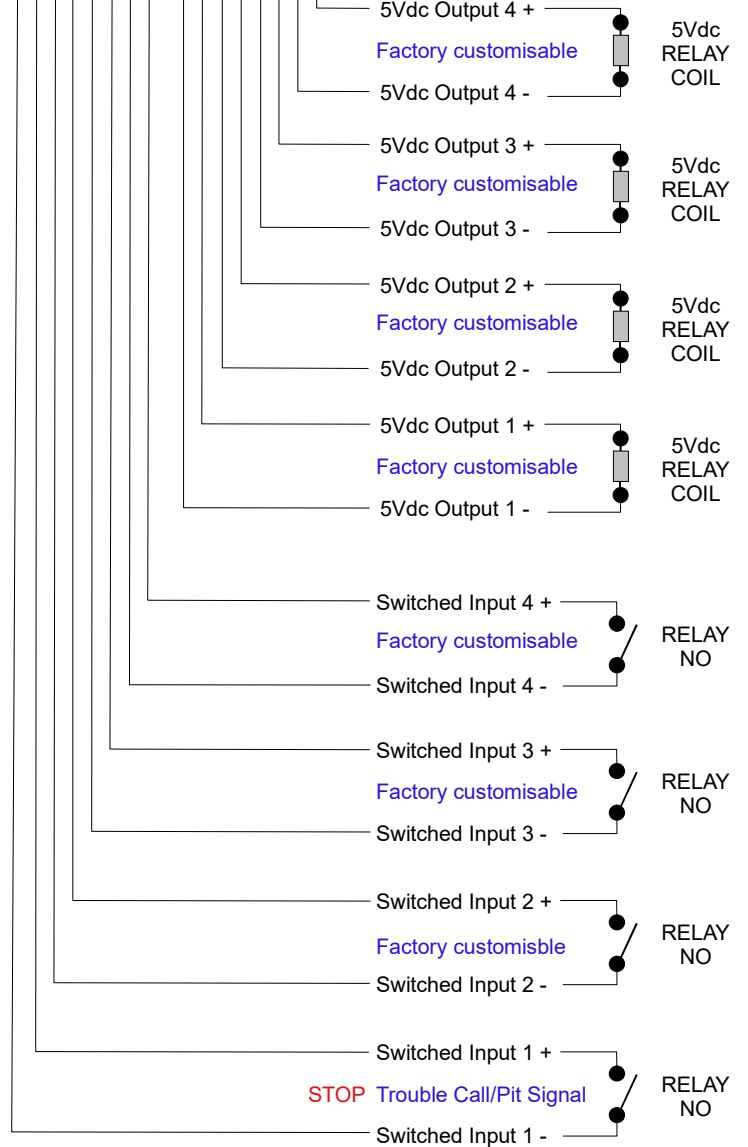
View from front of male DB9

View from back of female DB9



Most XL Pinsetters  
090-005-734 Cable Front End Box to Mask Board  
090-005-750 Mask LED Board

"Fat Chassis"  
090-003-720 Cable Chassis to Mask Board  
612-362-068 Mask Board

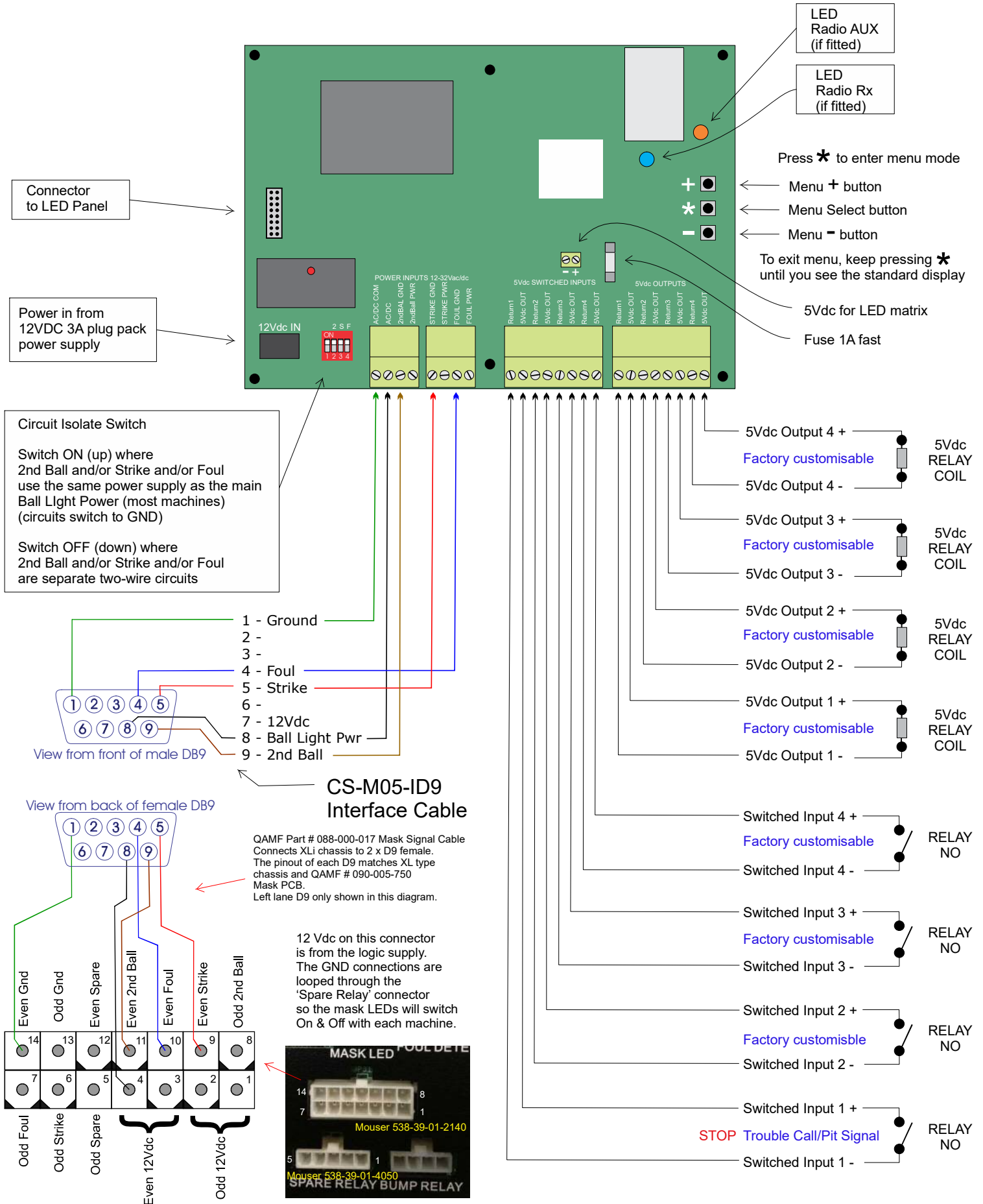


# MaskMatrix

Universal - for all Pinsetters and Pinsetters



## AMF 82-90XLI

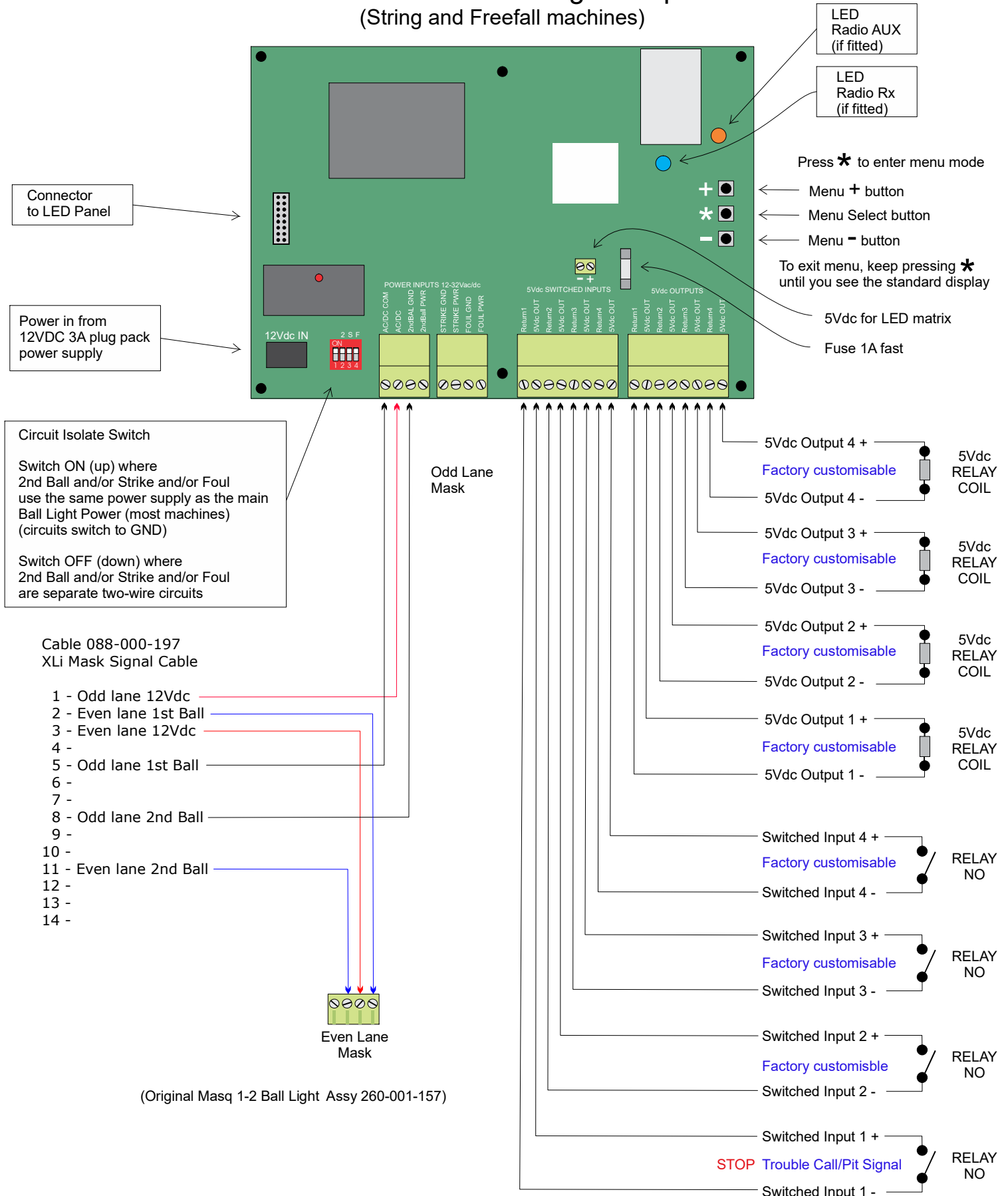


# MaskMatrix

Universal - for all Pinsetters and Pinotters



## QubicaAMF TMS and Edge Pinsetters (String and Frefall machines)

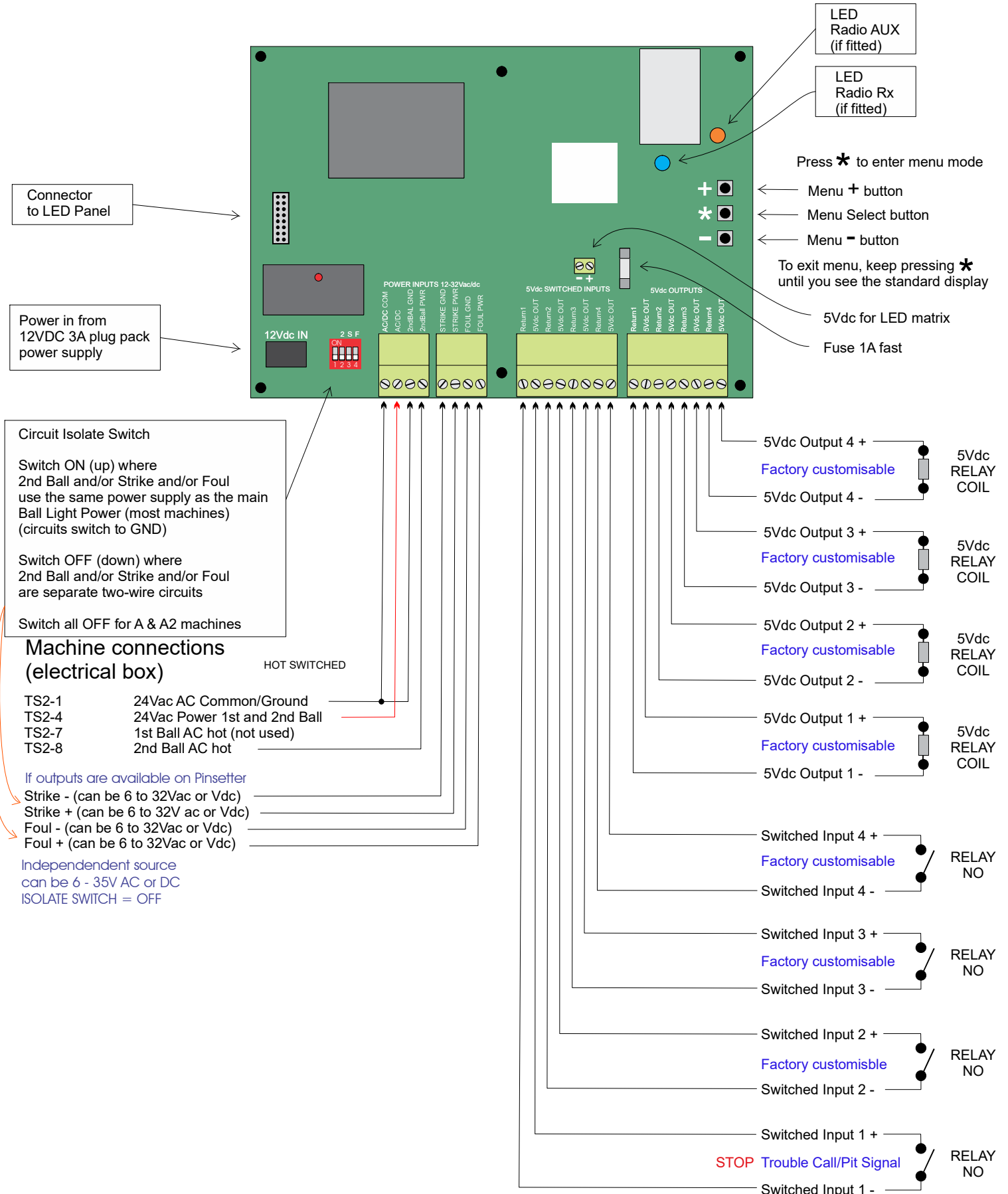


# MaskMatrix

Universal - for all Pinpotters and Pinsetters



## Brunswick A/A2

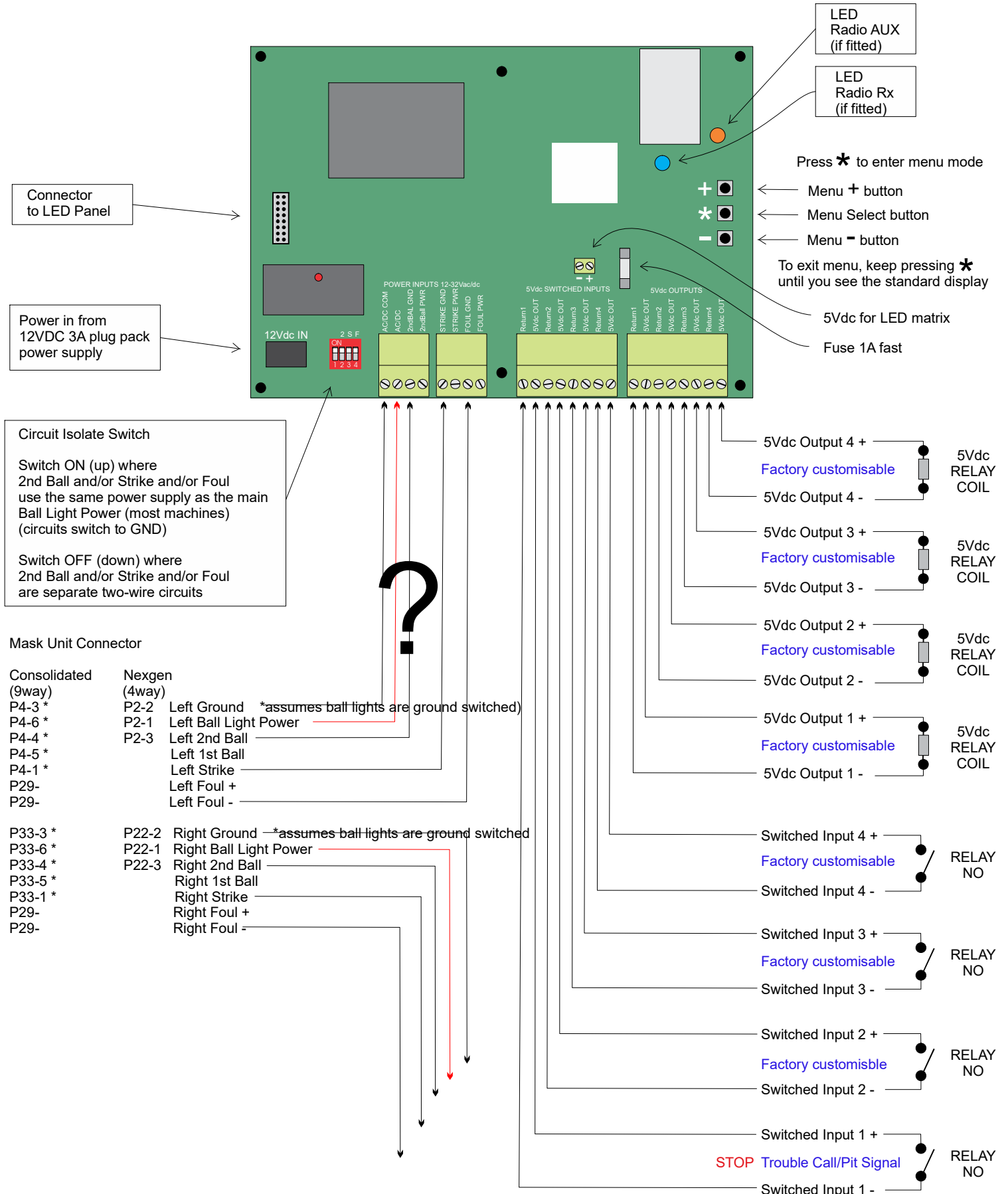


# MaskMatrix

Universal - for all Pinsetters and Pinsetters



## Brunswick GS

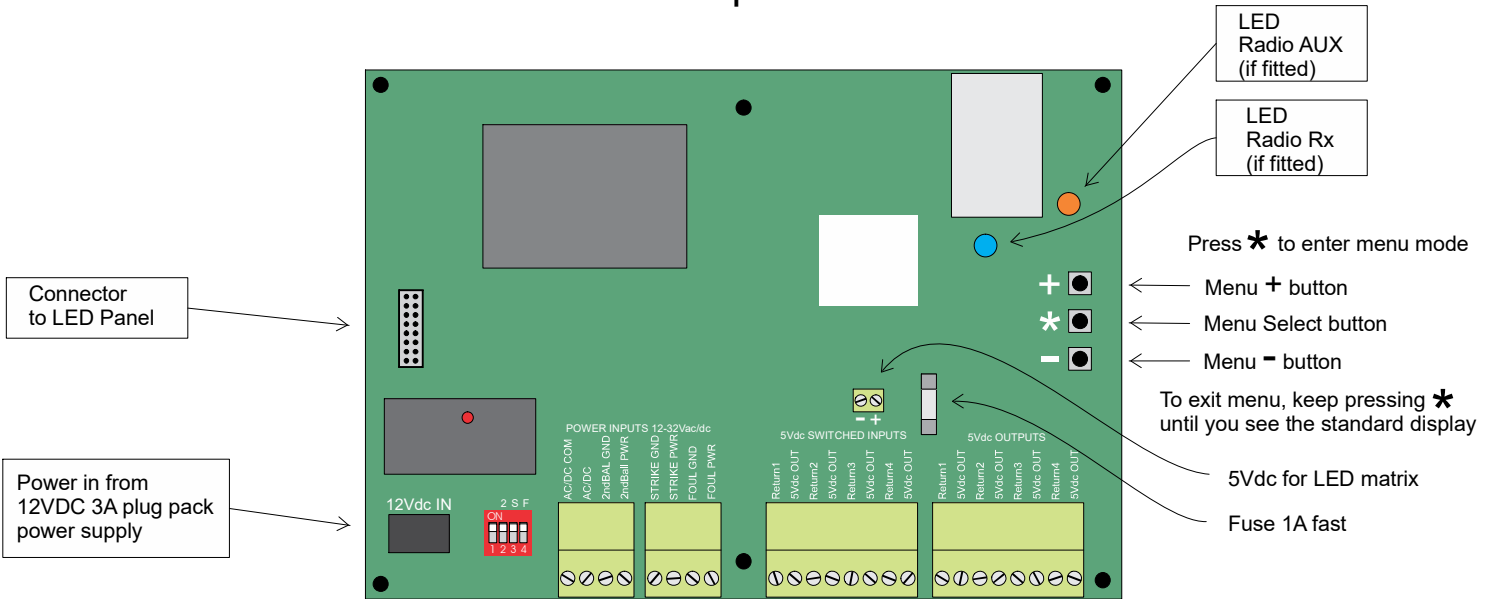


# MaskMatrix

Universal - for all Pinpotters and Pinsetters



## Menus and Option Selection



Press + to display software version information

Press \* to enter Menu Level 1

Menu Level 1 - Set Lane Number  
Press + to increase Lane Number  
Press - to decrease Lane Number

Press \* to enter Menu Level 2 (saves selected Lane Number)

Menu Level 2 - Set Lane Off Lane Number Colour  
Press + to cycle up through available options  
Press - to cycle down through available options

Press \* to enter Menu Level 3 (saves Lane Off Lane Number Colour)

Menu Level 3 - Set Lane On Lane Number Colour  
Press + to cycle up through available options  
Press - to cycle down through available options

Press \* to enter Menu Level 4 (saves Lane On Lane Number Colour)

Menu Level 4 - Set 1st & 2nd Ball Display  
Press + to cycle up through available options  
Press - to cycle down through available options

Press \* to enter Menu Level 5 (saves 1st & 2nd Ball Display)

Menu Level 5 - Set Strike Display  
Press + to cycle up through available options  
Press - to cycle down through available options

Press \* to exit Menu

