

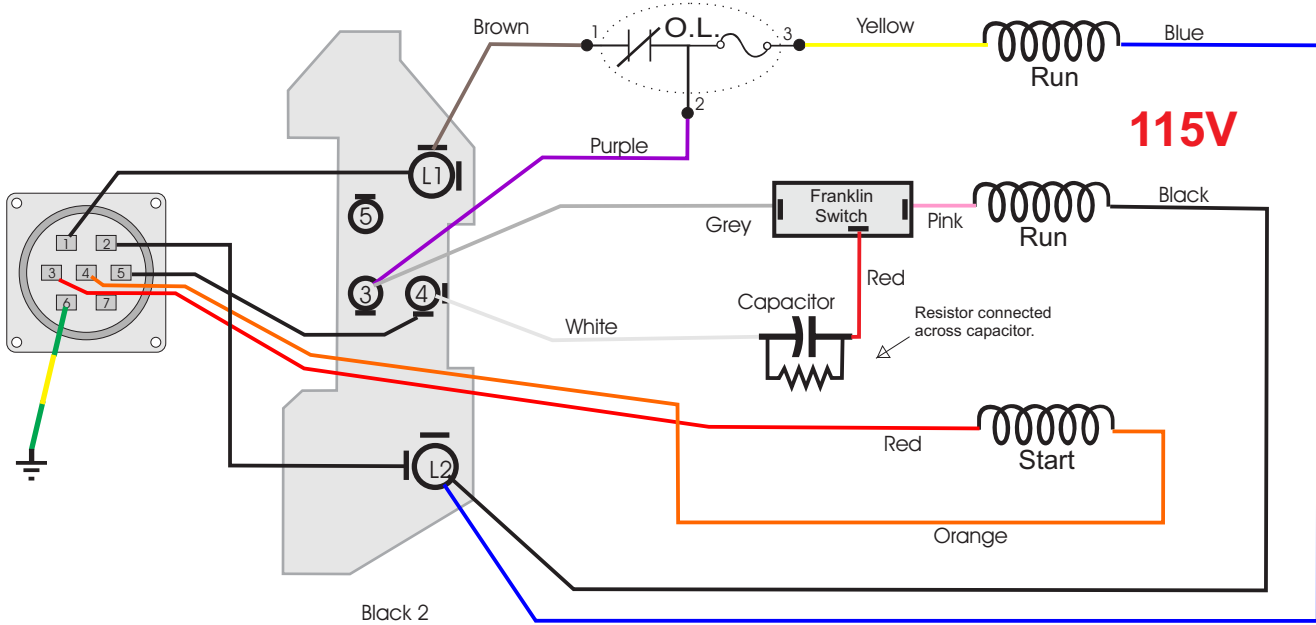
# Solid State Start Switch SS110C (Combination Motor)



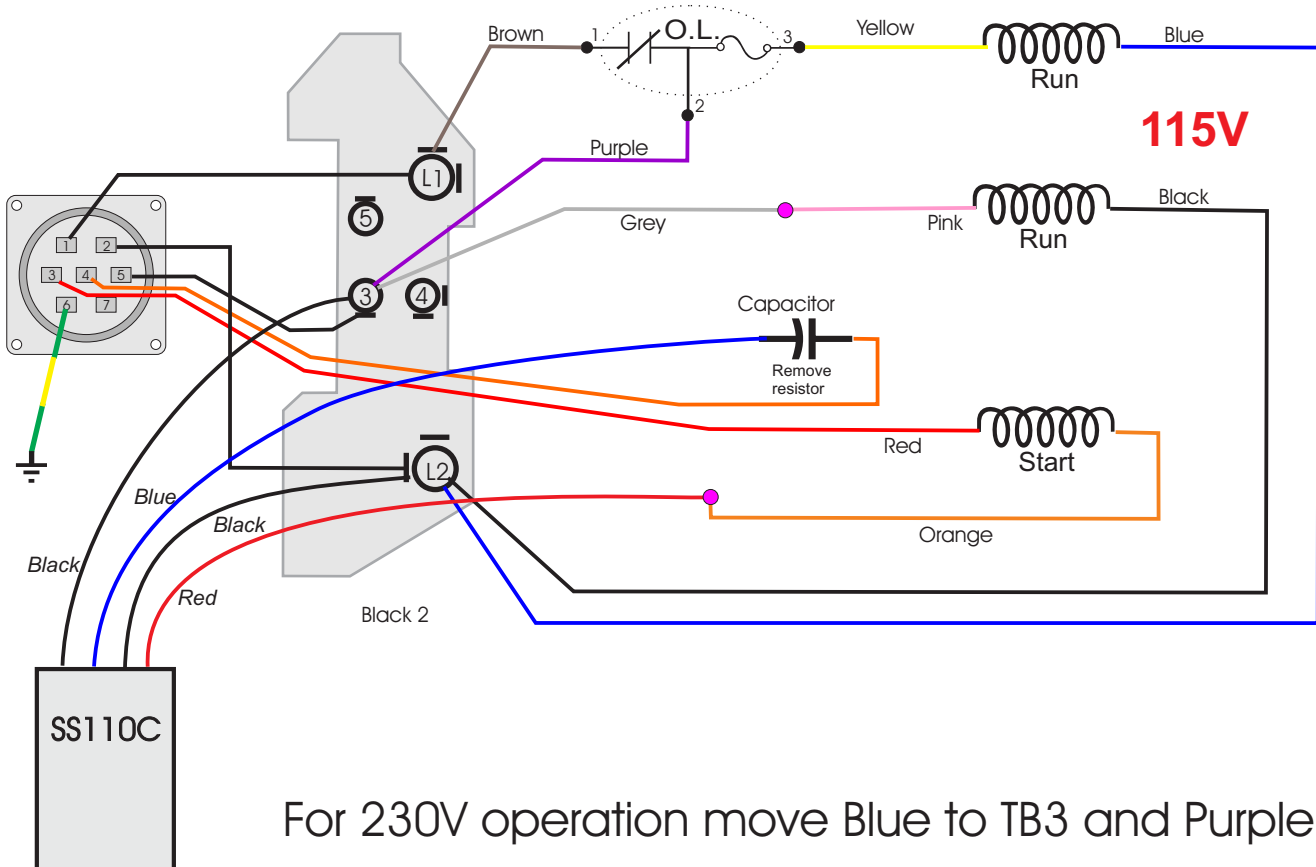
Document version 20230112

Connection diagram for AMF Franklin (82-90) dual voltage Sweep and Table motors  
Supply Voltage 115V

## Before



## After



For 230V operation move Blue to TB3 and Purple to TB5.